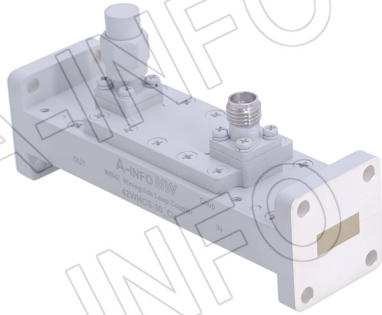


For reference only. See data sheet for the detailed specifications.

Technical Specification

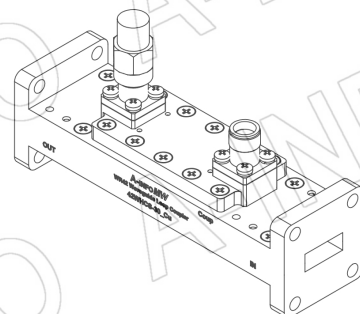
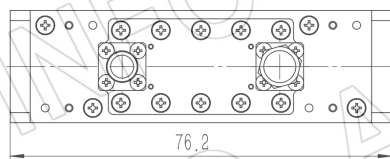
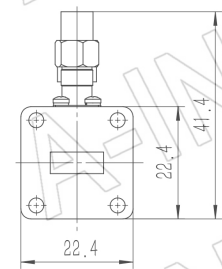
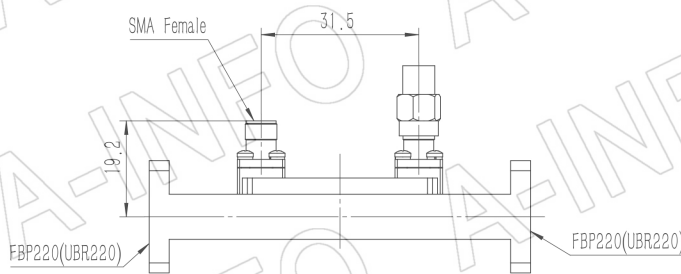


EIA WR	WR42
Frequency Range(GHz)	18.0-26.5
Coupling(dB)	30
Directivity(dB)	15 Typ.
Insertion Loss(dB)	0.1 Max. (Not including the theoretical loss 4.35×10^{-3} dB)
Mainline VSWR	1.15:1 Max.
Secondline VSWR	1.70:1 Max.
Flange	FBP220(UBR220)
Coupling Port	SMA-Female/ SMA-Male
Material	Cu
Finish	Gold Plated and Silver Plated, Gray Paint
Size(mm)	76.2 x 22.4 x 22.4
Net Weight(Kg)	0.14 Around

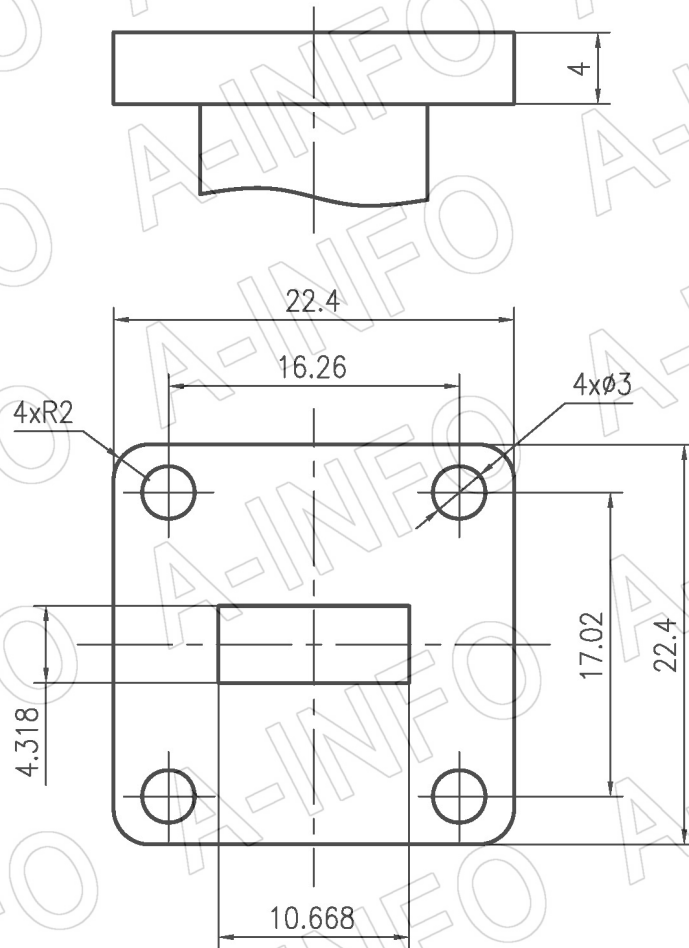
Outline Drawing (Size: mm)

Coupling Port: SMA-Female

For SMA-Male connector Coupling Port outline drawing, please contact A-INFO.



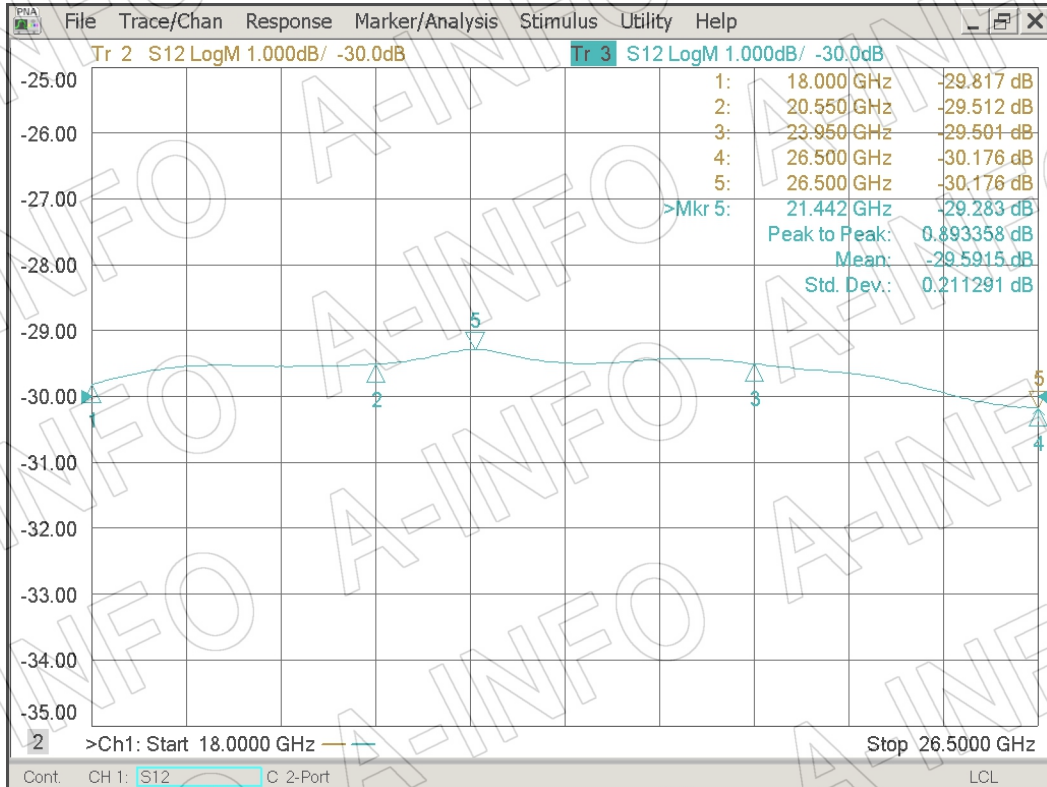
Flange Drawing (Size: mm)



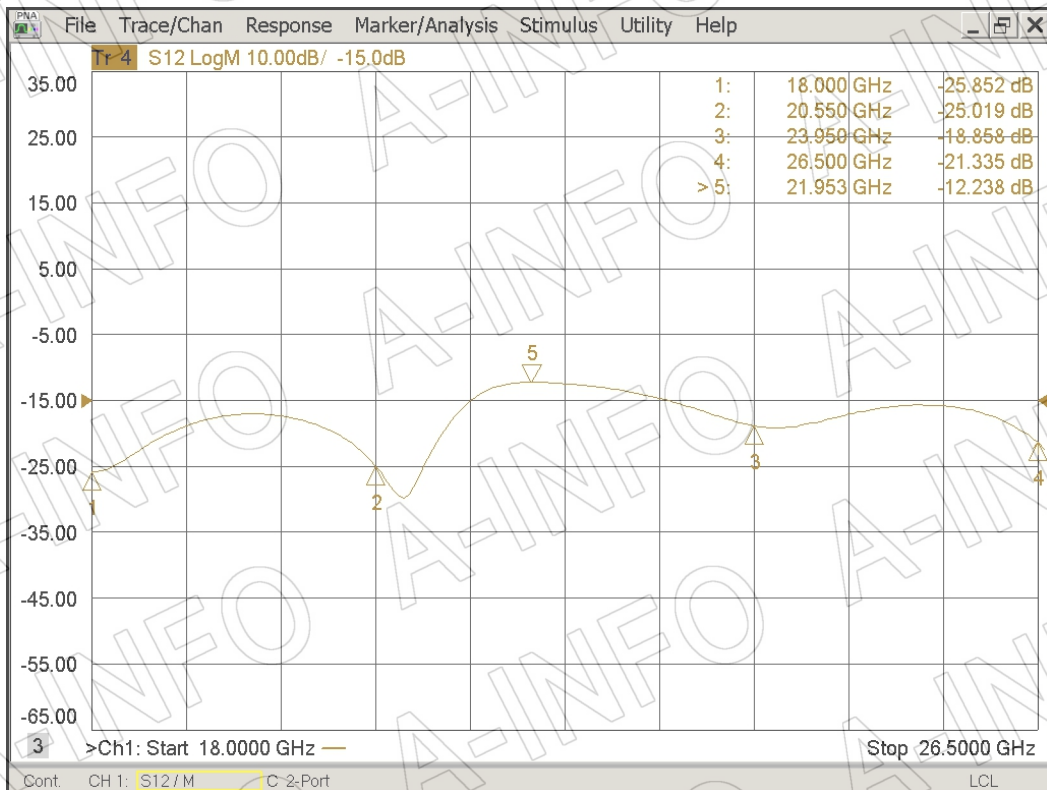
FBP220

Test Results

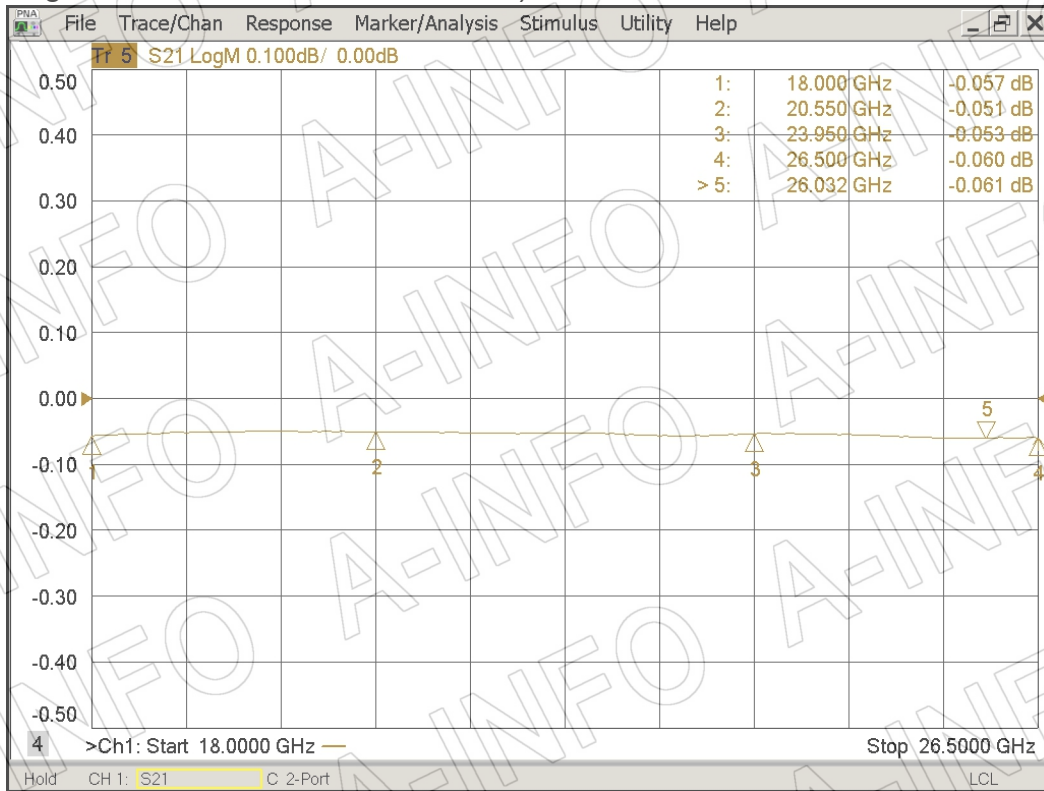
Coupling



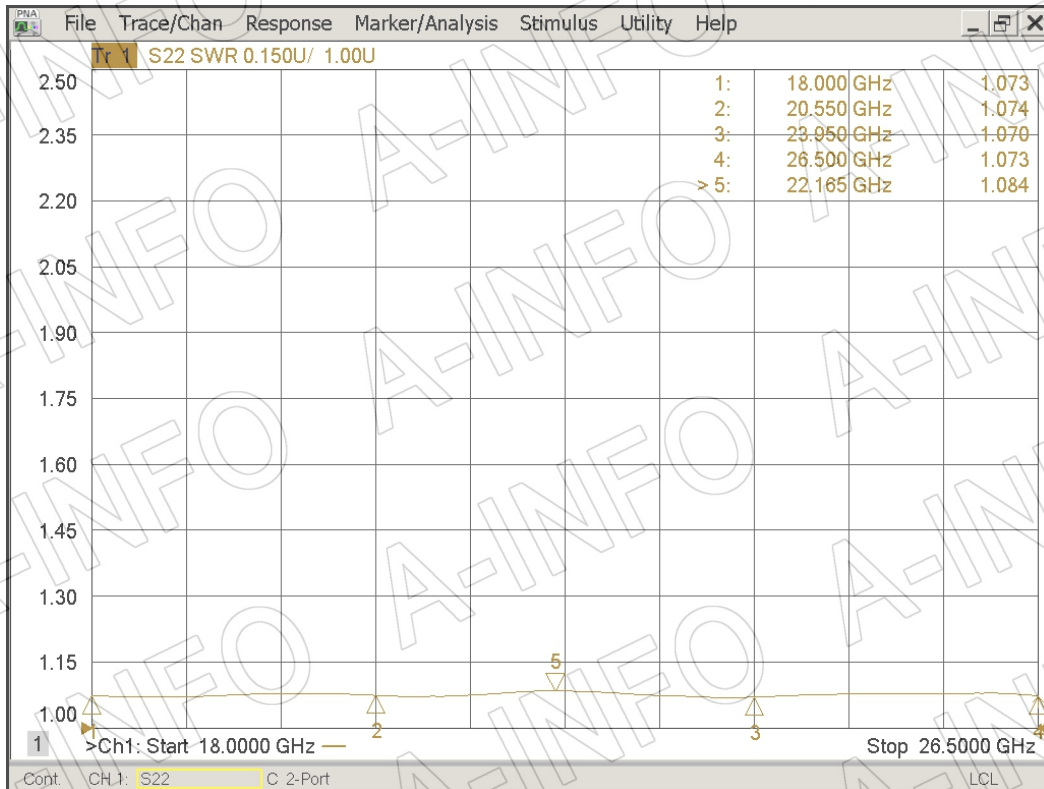
Directivity



I.L. (Including the theoretical loss 4.35×10^{-3} dB)



Mainline VSWR



Secondline VSWR

